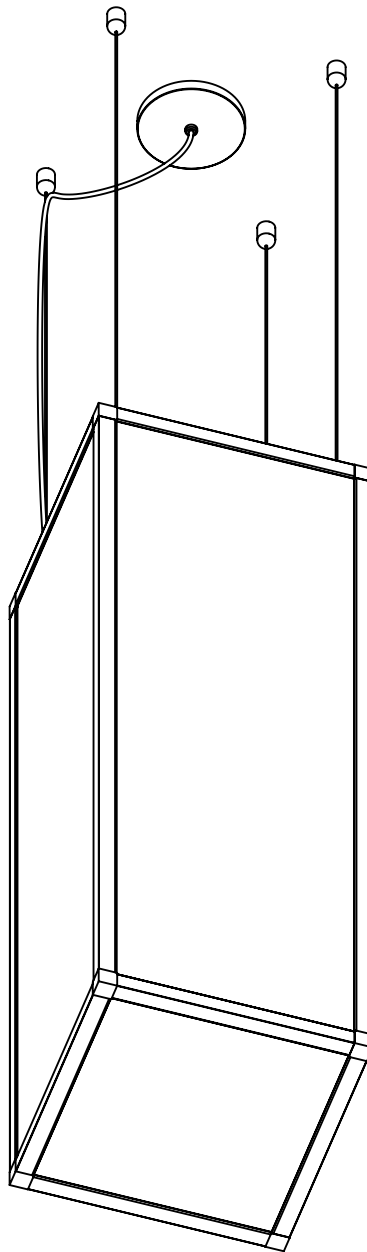


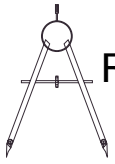


ARCHITECTURAL  
LIGHTING WORKS

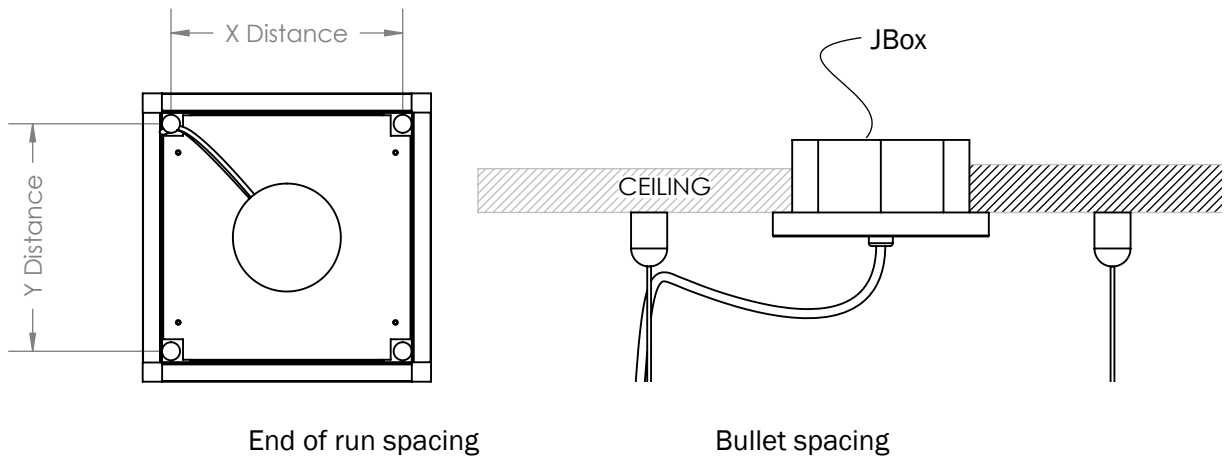


# ***Corner Profile***

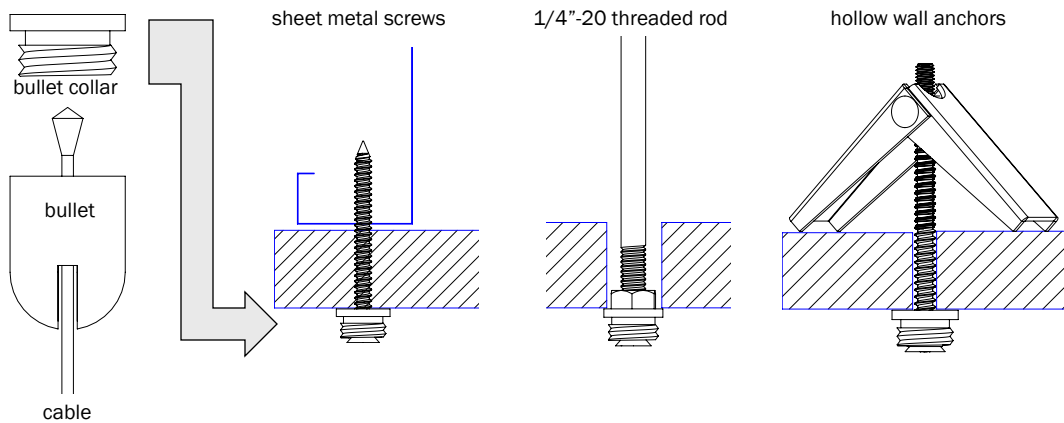
## ***Installation Instructions***



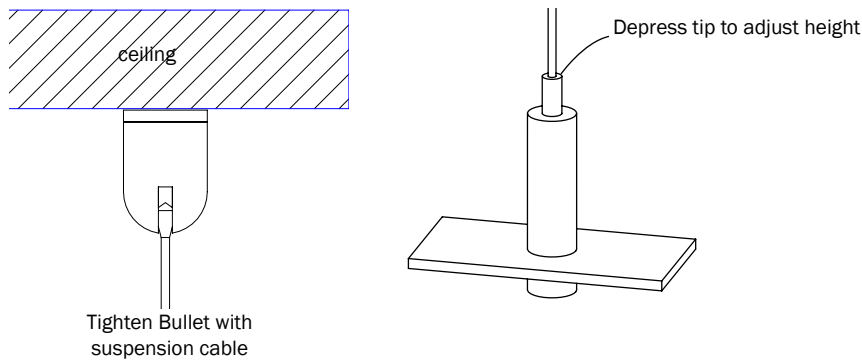
### 1. PLAN SUSPENSION POINTS, JBox LOCATION



### 2. INSTALL BULLET COLLAR TO CEILING

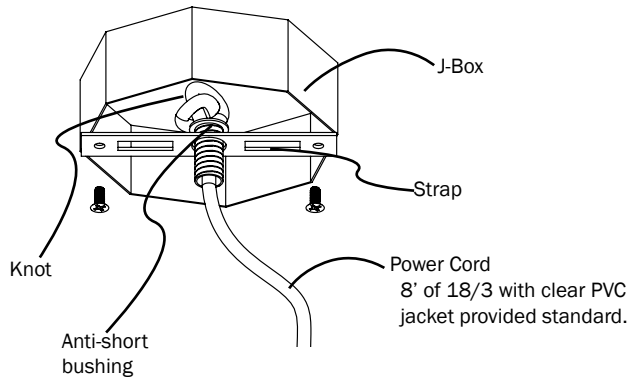


### 3. FASTEN BULLET AND ADJUST





#### 4. CONNECT ELECTRICAL



- Trim Power Cord to length, and tie strain-relief knot
- Connect appropriate electrical wires.
- Screw strap to 4-0 Electrical Box

#### 5. INSTALL CANOPY AND FASTEN WIRE

